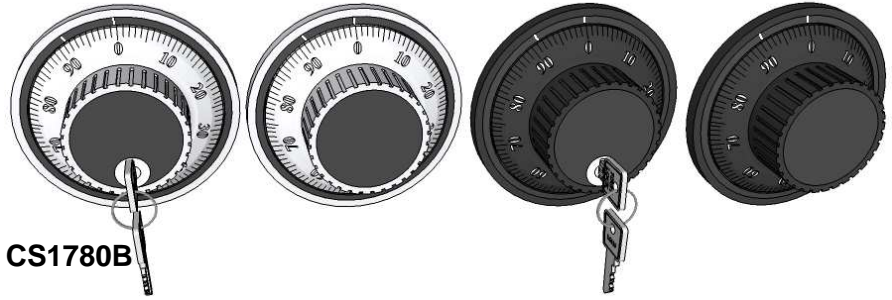


### Technical manual Mounting instructions



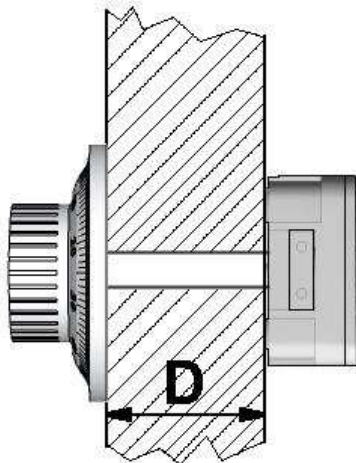
CS1789, CS1780, CS1789B & CS1780B

### CHARACTERISTICS

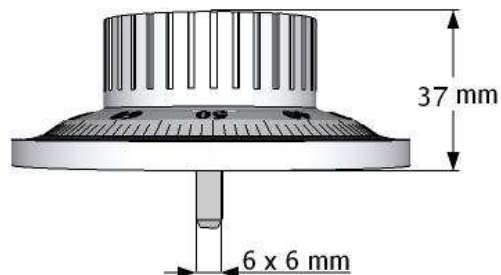
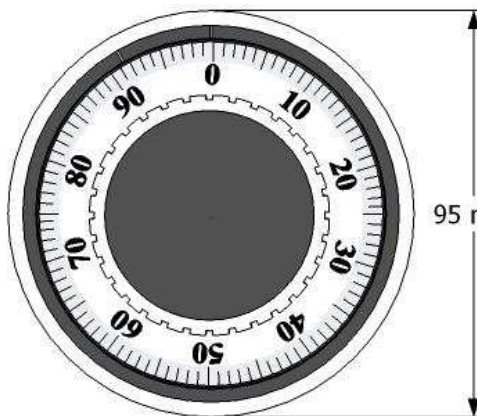
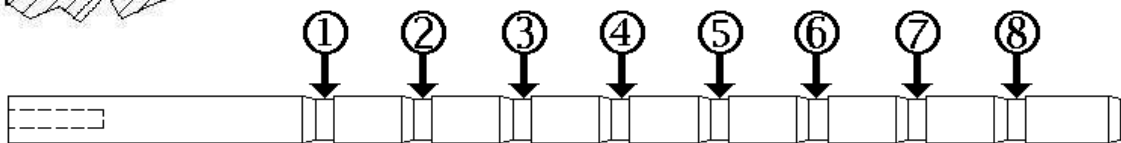
These mechanical dials are delivered with a 6mm square shaft as spindle and can only be used with the ML6740. These dial are made of metal and are available in black (CS1780B) and mat chrome plated (CS1780). They are also available as key locking dials (CS1789B & CS1789). The provided shaft can be used for doors up to 125mm (5") surface to lock.

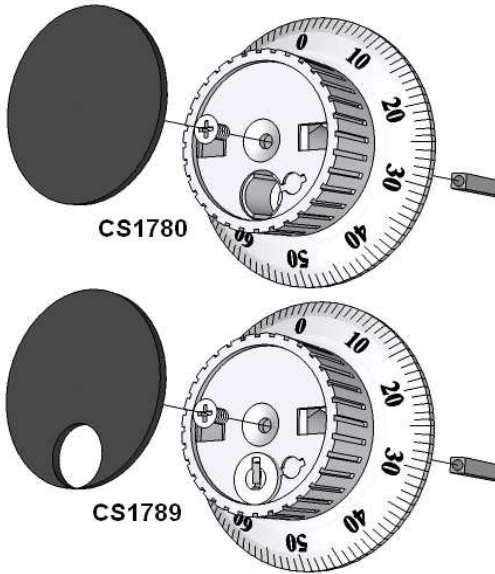
### DIMENSIONS / MOUNTING INSTRUCTIONS

Measure the distance (**D**) between the mounting surfaces of the dial and the lock (see picture below). Cut the shaft in one of the eight provided grooves. Use the table below to determine in which groove to cut. Do not leave more segments on the shaft than necessary. Normally no de-burring is required.

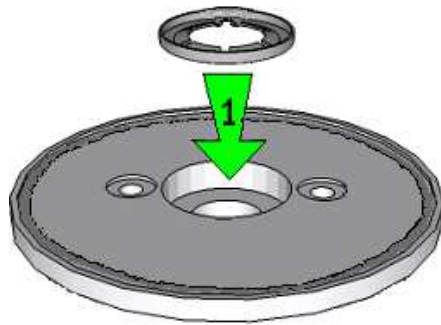


Distance (D) less than		Cut Groove #
23 mm	0.9 inch	1
36 mm	1.4 inch	2
48 mm	1.9 inch	3
61 mm	2.4 inch	4
74 mm	2.9 inch	5
87 mm	3.4 inch	6
100 mm	3.9 inch	7
112 mm	4.4 inch	8

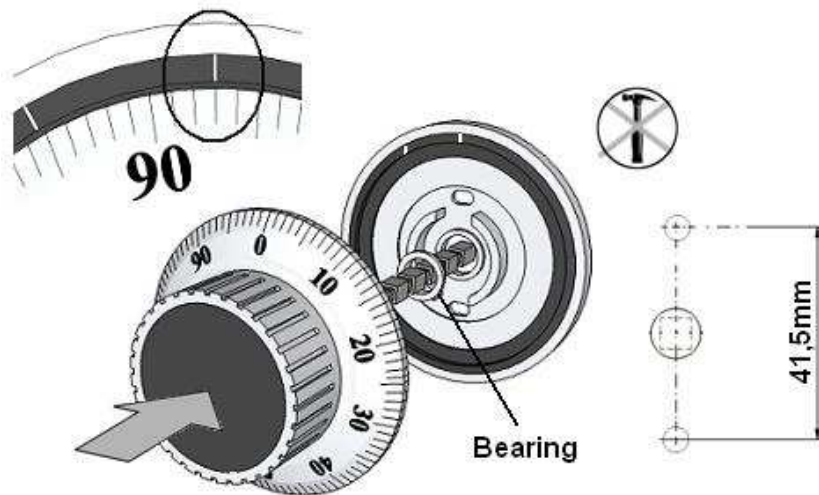




Affix the shaft in the square hole with the provided screw in the dial. Make sure the shaft is seated all the way in the square hole and does not rest in the hexagonal cavity above. Cover the screw with the larger decorative plate. Use the solid plate for CS1780 and the plate with the cut out for CS1789. Also remember to keep the lock in the open position during the continued fitting.



Fit the star-washer in to the cavity on the underside of the dial ring as pictured (1)



Install the ML6740 lock first according to separate installation instruction, but leave the star-washer between lock and mounting surface out.

The diameter of the spindle hole should be maximum 12mm. Mount the dial plate with the star-washer with two M4 or 8/32" screws (not included) so that the opening index is at the 12:00 position.

Position white ABS bearing in dial rig center and with the lock in OPEN position (bolt retracted) hold the dial in a way that approximately "93" is lined up with the opening index and push it with some pressure into the lock. **The dial is now permanently fixed to the door.**

Remember to perform the calibration process of the ML6740 as described in ML6740 manual.