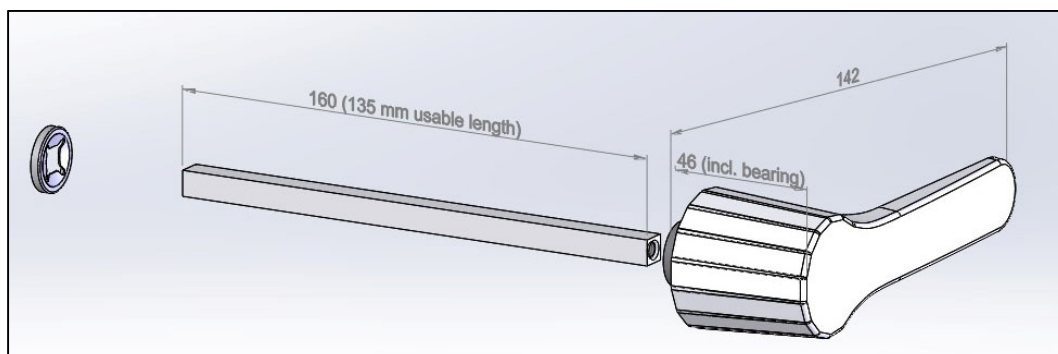


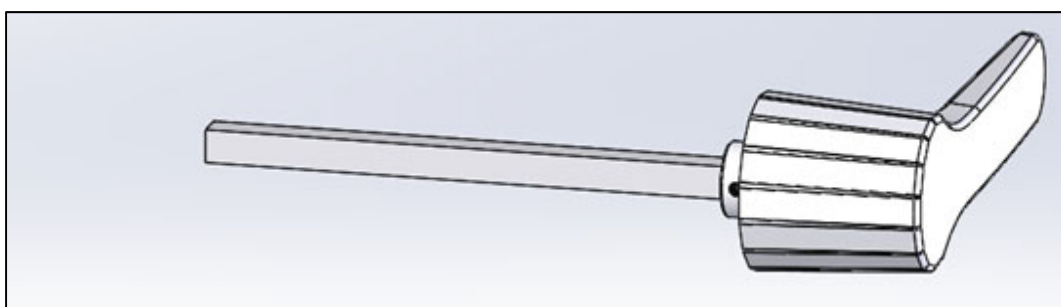
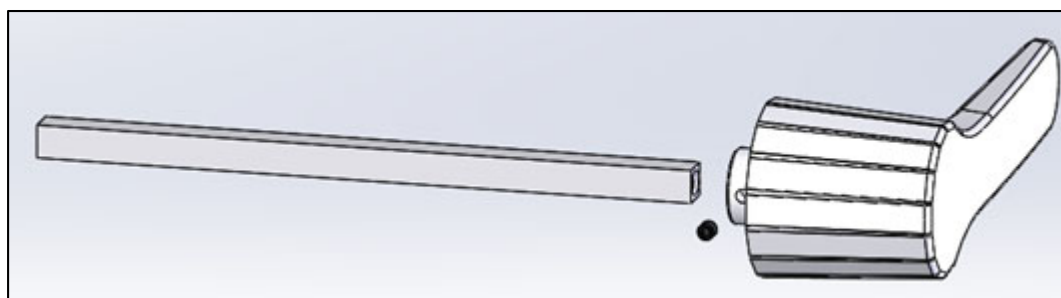
DIMENSIONS



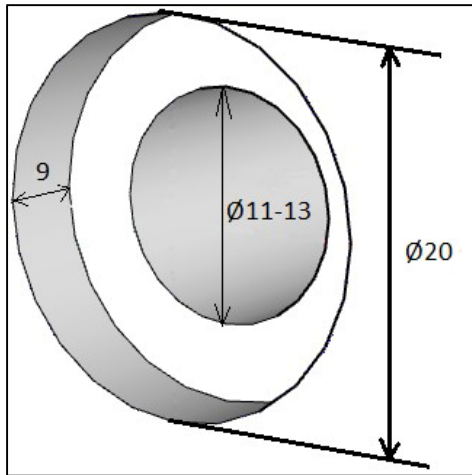
* All measurements in mm

MOUNTING INSTRUCTIONS

Assemble the handle as shown below. Affix the shaft in the handle with the provided screw. Use a thread locking agent like Loctite® to secure the screw.

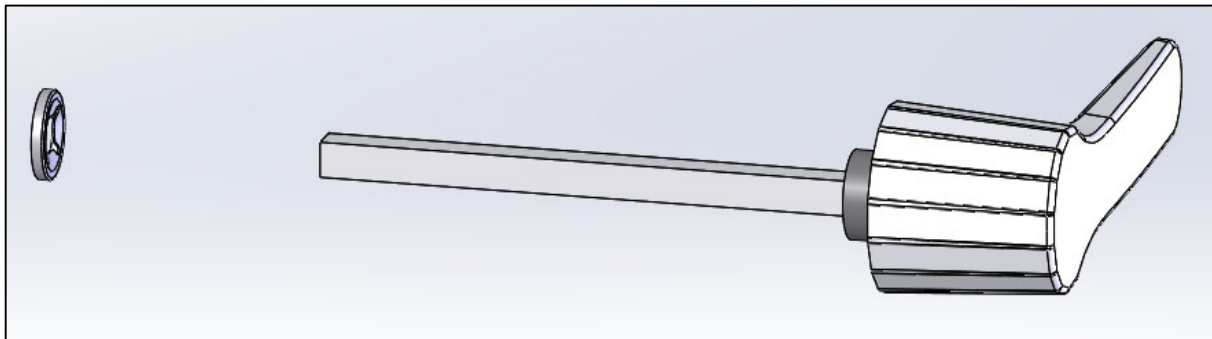


The opening in the door front should be widened to 20 mm, 9 mm deep to provide a fit for the bearing (igidur®).



* All measurements in mm

Cut the 8 mm square shaft to an appropriate length. The shaft should stick out of the bolt work 5-8 mm and is secured by using the star washer. **Note:** It is recommended to deburr the shaft after cutting so it is easier to apply the star washer. If used with the electronic lock EM1620 DirectDrive, the shaft should engage approximately 15 mm into the lock.



If used with boltwork:

Insert the handle with the shaft into the boltwork. Put the starwasher on the end of the shaft and push it down. This secures the handle from being pulled out.

If used with EM1620 DirectDrive:

Starwasher is placed in most cases between mounting surface and lock. Please see the lock mounting instructions.