

MODULAR

Technical Manual

ST2040, ST3040, ST3540

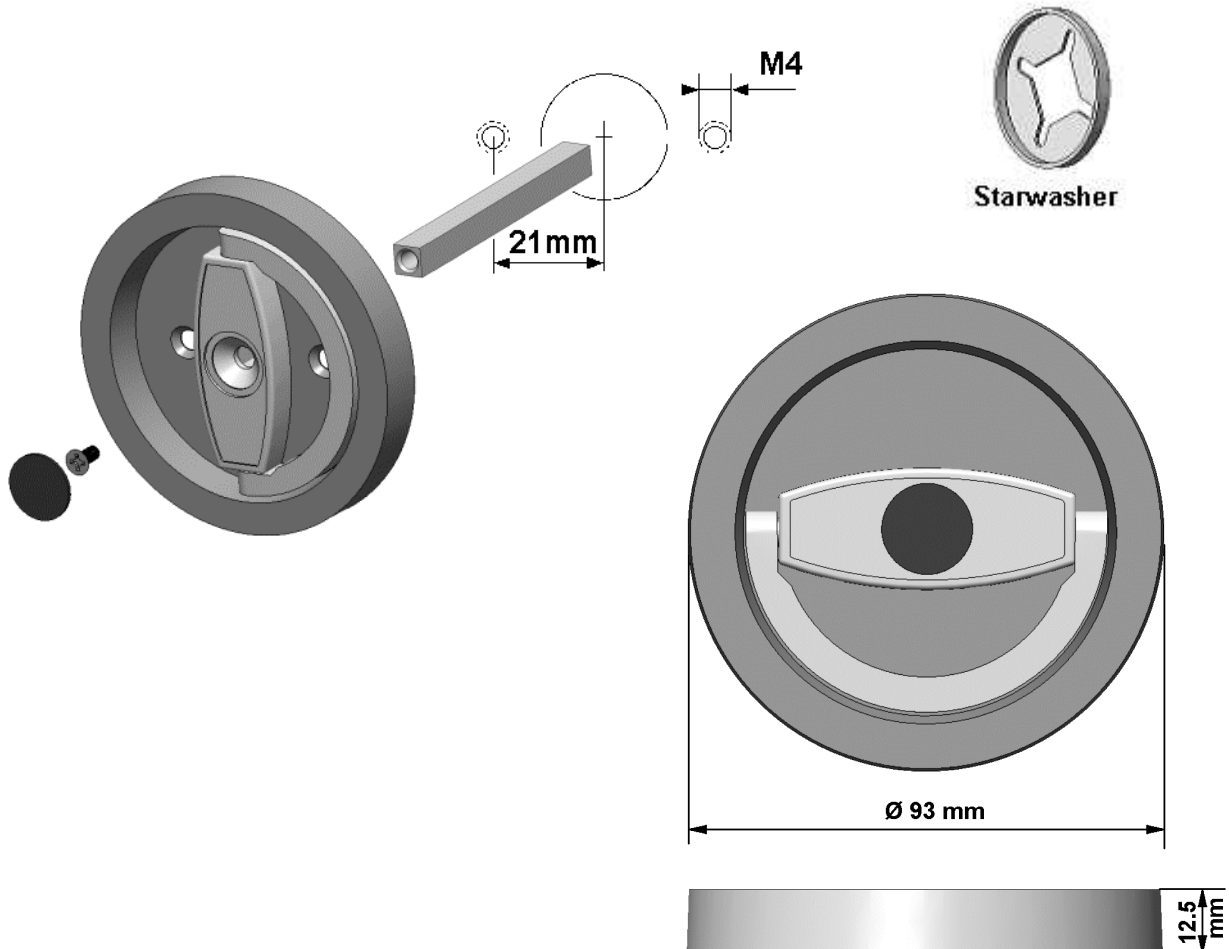


CHARACTERISTICS

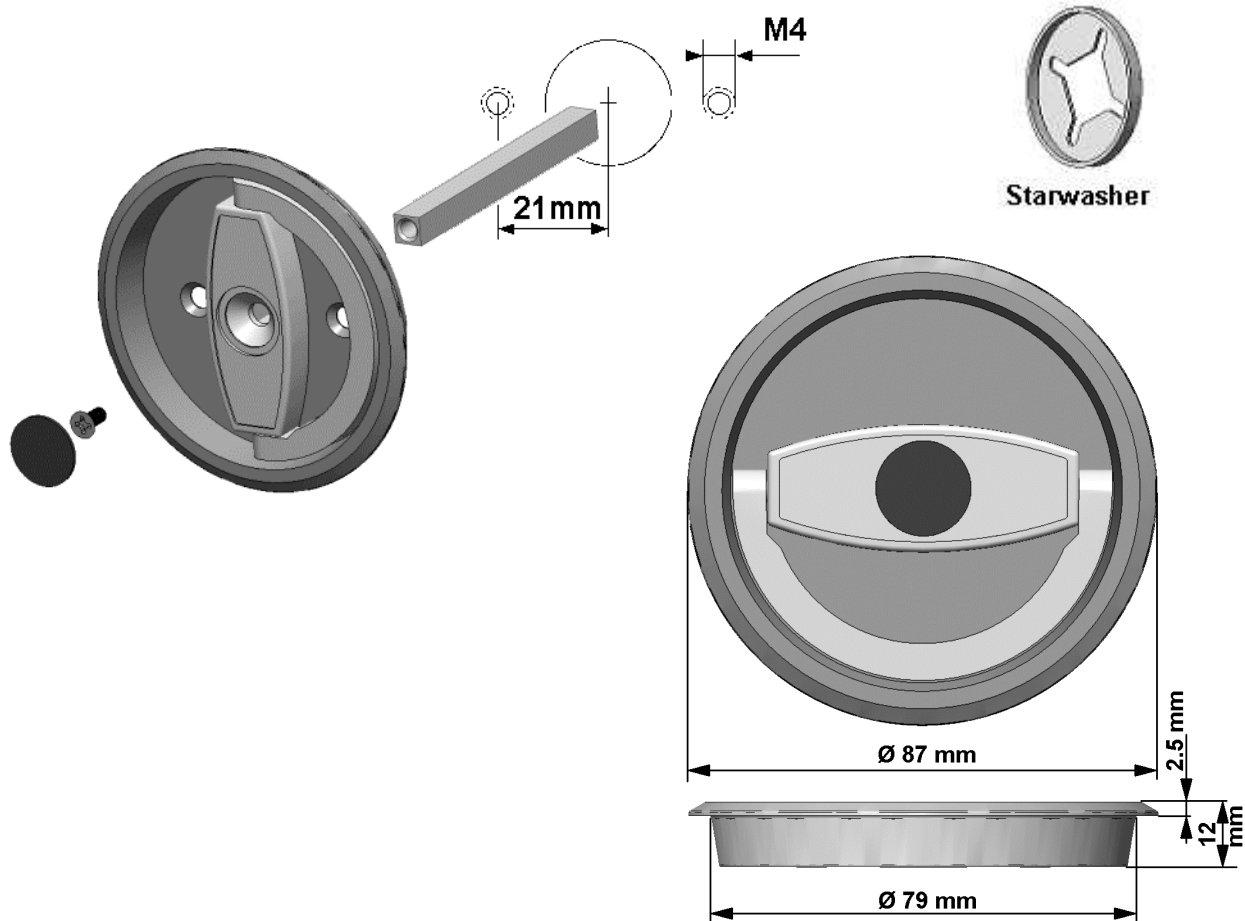
The protrusion of the EuroLine “Modular” series is very low. ST3540 further reduces the protrusion as it is recessed and almost flush with the door surface. The handle is made from metal with a mat chrome finish. The plastic base unit is available in mat chrome (ST2040) or black (ST3040, ST3540). The 8x8mm square shaft can be used in conjunction with a boltwork or the DirectDrive lock (EM1520). The pull handle set is delivered pre-assembled.

DIMENSIONS / MOUNTING INSTRUCTIONS

ST2040 Mat Chrome, ST3040 Black



ST3540 Flush Mount, Black only



Cut the 8mm square shaft to an appropriate length. The shaft should stick out of the boltwork 5-8 mm and is secured by using the star washer. **NOTE:** it is recommended to de-burr, or even chamfer, the shaft edge after cutting; so it is easier to apply the star washer.

If used with the DirectDrive electronic lock, the shaft should engage approximately 15 mm into the lock and then the star washer is fitted between the lock and mounting surface. Affix the shaft in the handle with the provided screw and cover the screw with the label. Turn boltwork or lock into "OPEN" position. Push the complete unit as shown in the picture into the locking mechanism and fasten it with two M4 countersunk screws.