

M•LOCKS

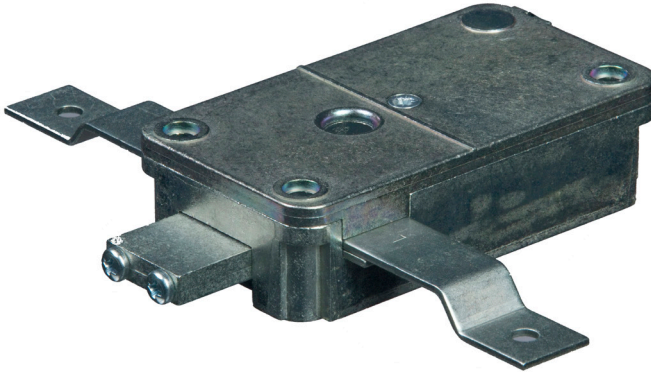
EM1620 DirectDrive

Mounting
instructions
V03 EN



M•LOCKS BV

Vlijtstraat 40 • 7005 BN Doetinchem • The Netherlands • www.m-locks.com



1 IMPORTANT INSTRUCTIONS

- Before mounting the lock, please read the instructions for use carefully.
- Ensure that you **only** program the lock when the **safe is open**.
After changing the code, always try the code several times with the safedoor open.
- **Only after several positive function test (opening / closing) the safedoor can be closed.**
- Each key entry is confirmed by an audible tone and visual signal. These signals are not referred to in the description that follows.
- You have a maximum of 10 seconds for each key entry. If you do not make an entry via the keypad during this period of 10 seconds, the entry procedure will automatically abort. You must then start again from the beginning.
- After entering a valid code, you will hear two audible tones. An invalid entry will trigger a long tone.
- If you accidentally enter an invalid code at the first attempt, you must wait 20 seconds before you re-enter the code.
- Our products fulfil the EN1300 requirements regarding resistance against electrostatic charge. In fact it may happen that the electrostatic charge of a user exceeds the extreme value many times. That's why we are asking you to touch the metal surface of the safe for discharging before operating the lock.

! Caution!

- The lock has been designed for use in a temperature range from +10°C to +50°C and a non-condensing humidity range from 30% to 80%.
- It may only be cleaned with a moist cloth (do not use aggressive cleaning agents).
- The lock may only be installed by qualified fitters.
- The lock may not be lubricated.
- Never open the lock housing. If it is necessary to disassemble the hardware, only do so in accordance with the technical instructions. If you fail to do so, the lock may no longer function properly and you will forfeit your right to warranty.

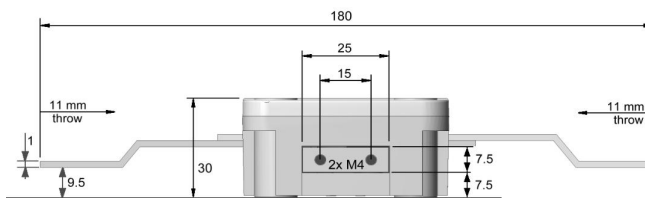
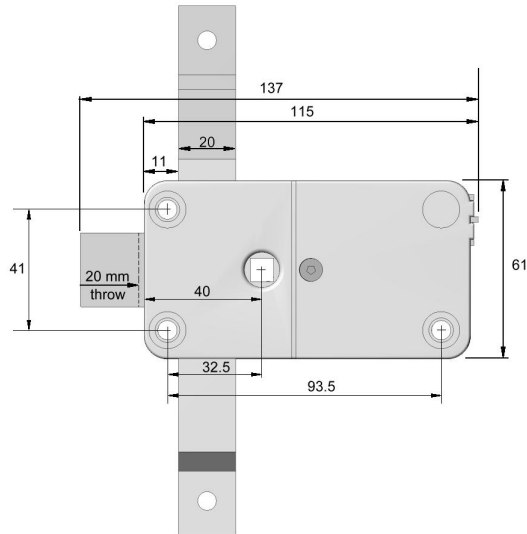
2 CHARACTERISTICS

The optional three way locking mechanism of the DirectDrive lock eliminates the need for a separate boltwork. It can be mounted in all four mounting directions.

The lock is delivered with metric (M6) mounting screws.

The DirectDrive features a 6-digit main code that can be changed by the user. With the main code, a secondary code can be activated and deleted. If a valid code has been entered, the lock's electronics removes the blocking for 3 seconds and all three bolts can be moved into OPEN position by rotating the cam.

3 MOUNTING INSTRUCTIONS



The VdS recognition of this lock is based on this mounting instruction. Read carefully.

The force applied to the lock bolt should not exceed 1 kN. If higher force is applied, please consult with the testing institute (i.e. UL, VdS). Only use supplied screws to mount the lock. Fix the lock handtied.

Cable-hole: 9-12mm diameter

Position of the cable hole depends on which entry unit is used.

The lock has to be fitted exclusively on steel secure storage. The mounting base also must be made of steel. Installation on other materials only after consultation M - LOCKS or VdS.

It is recommended to prevent access to unauthorized persons to safety-relevant parts of the high-security lock when the safe is open. Par exemple by a with a screws fixed interior cover.

The lock housing must be protected against destructive attacks from outside with suitable protective materials.

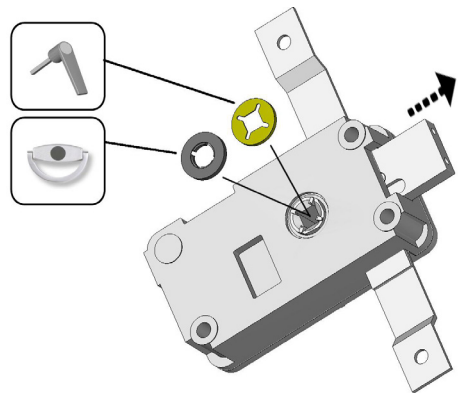
3 MOUNTING INSTRUCTIONS

Boltwork can be mounted on the bolt head if required.

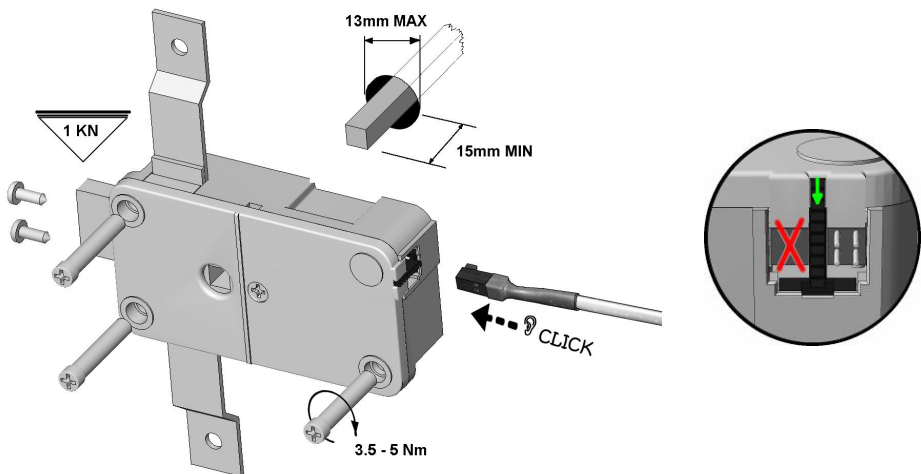
NEVER WELD ON BOLT OR BOLT EXTENSIONS!

Mount the entry unit following the separate instruction.

Insert the star washer (provided with the large handle) or the shaft guide washer depending on which handle is used.



Insert the connector of the entry unit as shown in the outer position. Check that the connector is completely seated and locked by the black cable retainer. To remove the connector, use a small screwdriver to push down the cable retainer. Tie cables away from moving parts and sharp corners.



For unplugging the connector lock has to be depressed. Connect a 9V alkaline Duracell, Energizer or Duracell Industrial- battery to the battery clip to the keyboard (or battery box), and check the lock functions. Keep the Cable from sharp edges or moving Boltwork parts and set permanently.

4 FUNCTIONAL TEST

This functional test always with door open!

Enter code {1,2,3,4,5,6} and turn handle clockwise towards OPEN position. The bolts should retract easily and there should be a positive snap action. To lock, turn handle towards LOCKED position. The bolts should move freely into their locked position (snap action). The lock secures automatically.

Repeat the functional test several times before closing the safe door.

5 DATA SHEET

Mechanics	
Opening	Manually
Locking	Manually
Blocking element	Motor
Mounting dimensions	Not standard
Elektronics	
Power supply	9V ALKALINE Duracell, Duracell Industrial- or Energizer battery
Software	
Codes	2 (6-digit)
Manager Codes	1
User Codes	1
Battery low signal	Ja
Manipulation protection	5 minute lock out after 4 consecutive wrong codes

6 NOTES

M•LOCKS



M•LOCKS BV

Vlijtstraat 40 • 7005 BN Doetinchem • The Netherlands • www.m-locks.com