

## MODULAR

### Technical Manual Mounting Instructions



ST4005



ST4010



ST4015

ST4005, ST4010, ST4015 (flush)

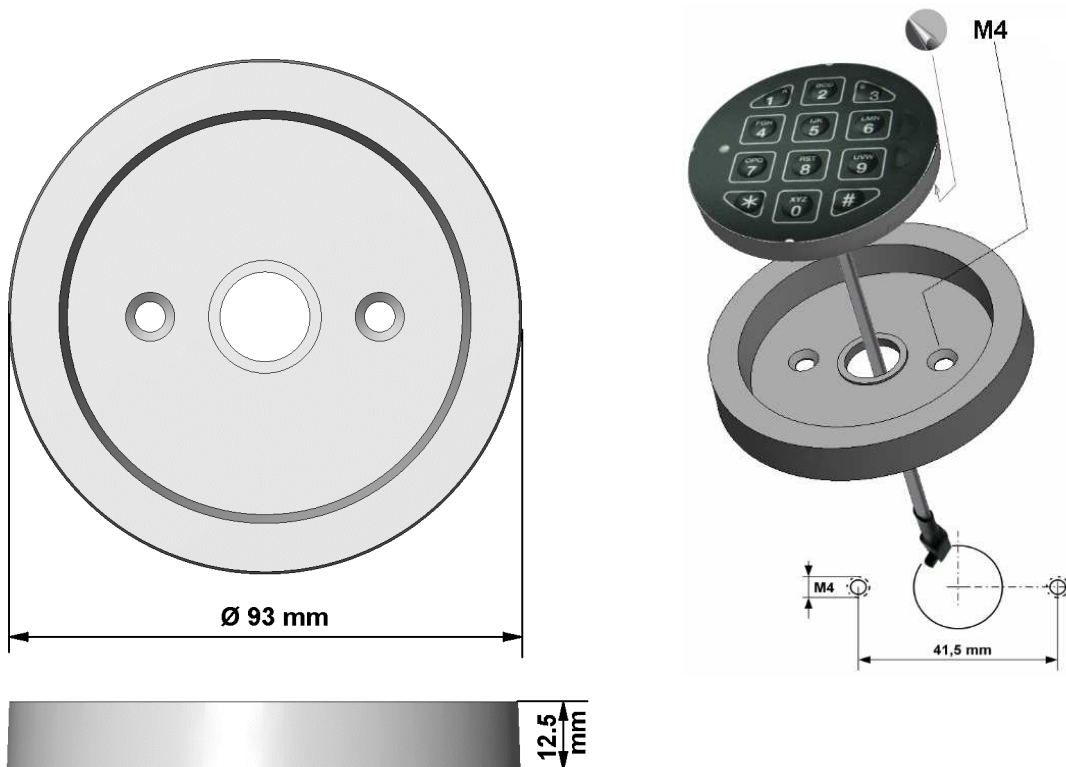
### CHARACTERISTICS

The protrusion of the EuroLine “Modular“ series is very low because the battery box is located inside the safe. It is available in mat chrome (ST4005) or black plastic housing (ST4010, ST4015). ST4015 further reduces the protrusion as it is recessed and almost flush with the door surface. Cable length is approximately 35cm.

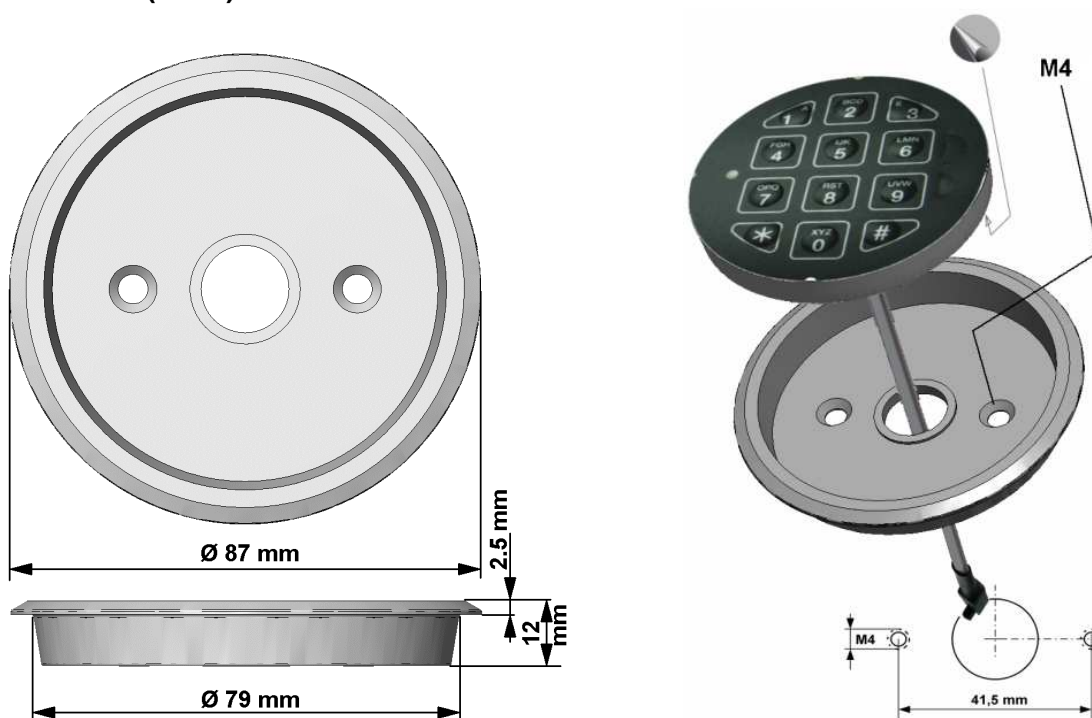
### DIMENSIONS / MOUNTING INSTRUCTIONS

The diameter of the cable hole should be minimum 9mm, maximum 12mm. De-burr the cable hole well to avoid damage.

ST4005, mat chrome, ST4010 black



## ST4015 (flush) black



Mount the housing with two M4 flathead screws (not included). Keep the inside of the housing clean (remove dust). Route the cable through the cable hole. Route the battery cable in the opposite direction through the cable hole and push the white connector into the receptacle on the circuit board. Make sure the connector is completely seated.

Remove the protective layer from the adhesive ring on the back of the keypad unit. Position the keypad and press it into the housing. **Make sure the surfaces are dry and clean, and no cables are in the way. Do not remove and re-apply keypad once it has been glued in the housing!**

Connect one battery to the battery box. Only use 9V ALKALINE Duracell Procell or Energizer batteries.

*These mounting instructions are part of the VdS approval and should be followed strictly.*