

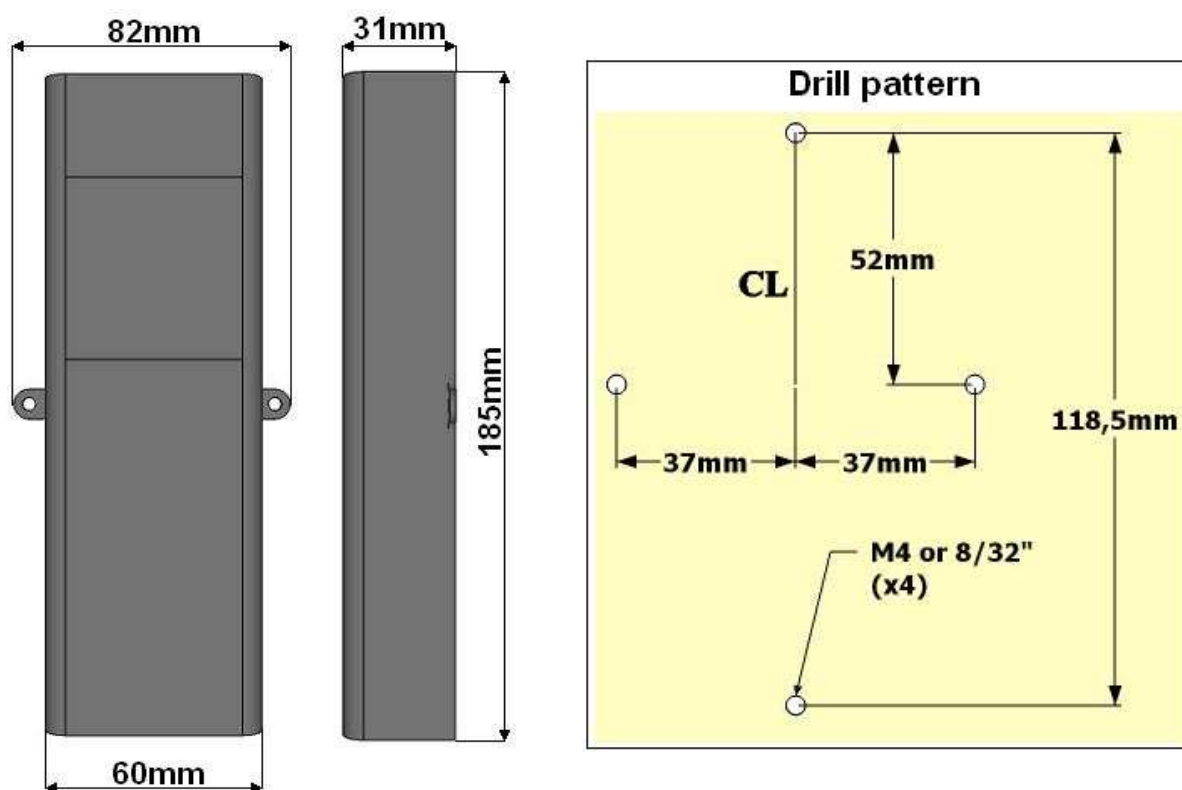
Technical manual

4001

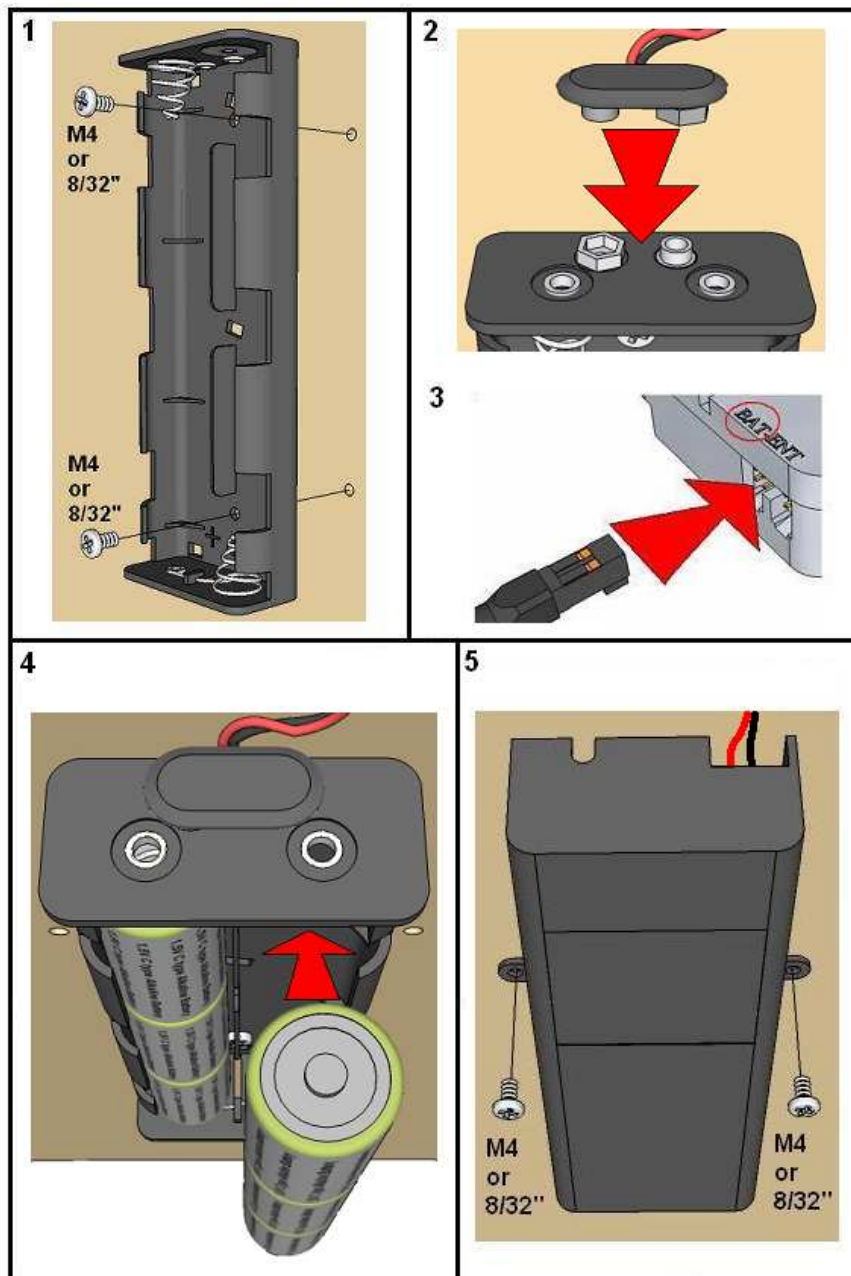
The 4001 battery box is used to when extra battery life is wanted. It is always recommended with systems set to time delay.



DIMENSIONS / MOUNTING INSTRUCTION



When deciding position to fit the 4001 make sure that no moving part of boltwork will interfere with box or cable when in use. Cable length is approximately 400mm (usable). Prepare fixing holes and clean surfaces.



Fit housing using 2x M4 or 8/32" screws (1). Route and connect cable to box (3) and BAT connection on lock (4). Note that picture is for illustration only, BAT connection can be placed differently dependant on lock used. Tie up loose cable in a professional way. Fit six 1,5V, C-cell, brand name, ALKALINE batteries in housing observing polarity (5). Snap lid in place and fix to surface with 2x M4 or 8/32" pan-head screws (4).

NOTE!

Do not leave out the screws when fitting the lid. If not securely fixed the lid might come off during use and end up in a position where it will hinder boltwork movement. Also do not use countersunk screws as the countersunk part can damage the "ears" on the lid and weaken them to the point where they may break off.